



575 W. Manville Street, Rancho Dominguez, CA 90220
 Toll Free Phone: 800.562.7425 | Toll Free Fax: 800.459.6999
 Phone: 310.661.4400 | Fax: 424.213.4241

Newsletter Sign-up

- HOME
- ABOUT US
- PRODUCTS
- PRODUCT SPECIFICATIONS
- DOWNLOADS
- CONTACT US
- DEALER LOGIN
- add to favorites

Sun Control Roller Shades

Proudly Assembled in the U.S.A.

Sun Control Roller Shades | Fabric Selection | Secure Grip Spline | M-Series Standard Clutch Manual Roller Shades
 Motorized Roller Shades | Platinum Series Contract Clutch Manual Roller Shades | Roller Shade Cassettes
 Skylights | Bottom Up Shades

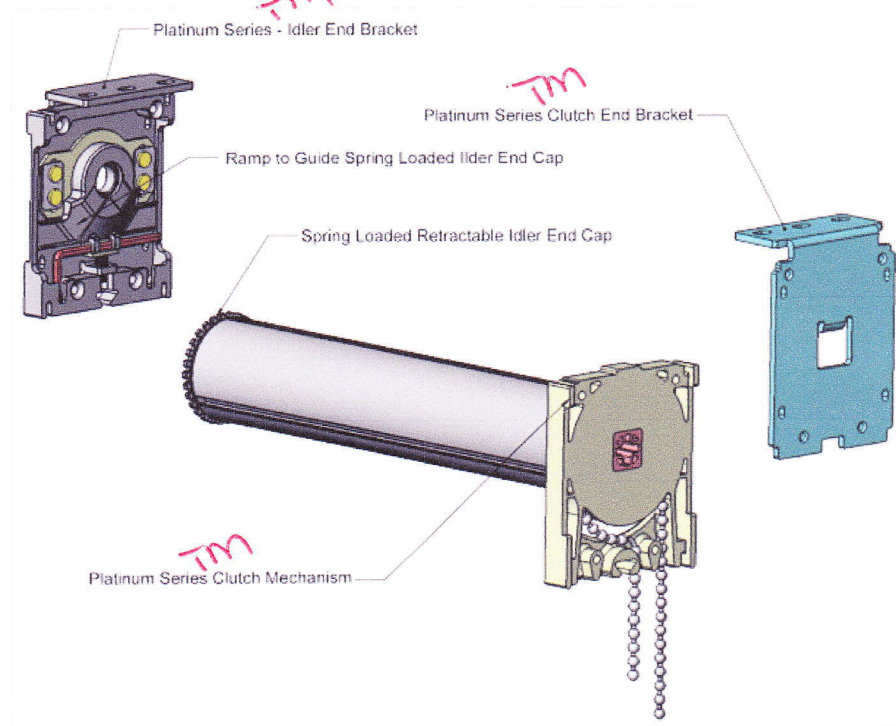
Platinum Series Contract Clutch Roller Shades

The heavy-duty chain operated clutch mechanism allows one to position the roller shade with precise accuracy. The bi-directional clutch never needs adjustment. When the operator stops pulling on the bead chain, the clutch stops automatically, holding the shade in the exact position desired. The Platinum Series Contract clutch mechanism is manufactured from PA6 with glass fiber.

Features:

- 1/8" Thick Steel Bracket
- Clutch Fixed to Installation Bracket
- Fascia Valance does not require a notch for the chain to drop through
- #10 Qualified Stainless Steel Bead Chain may be offset
- Idler End Bracket has a height leveling adjustment
- Idler End Bracket has a ball bearing idler for quiet and ultra smooth rotation
- Idler End Cap is spring loaded and retractable for simple and easy installation

Platinum Series Roller Shade System



Platinum Series Clutch Exploded Diagram

Mariak

Contract

[more information](#)

Hospitality

[more information](#)

Residential

[more information](#)

Distribution

[more information](#)

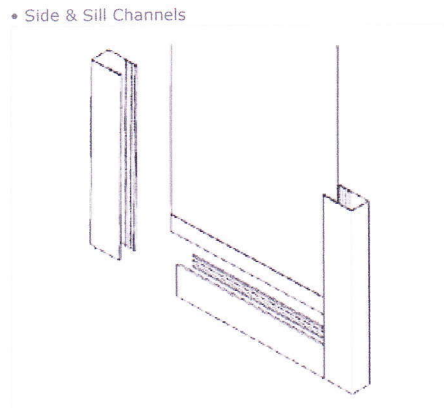
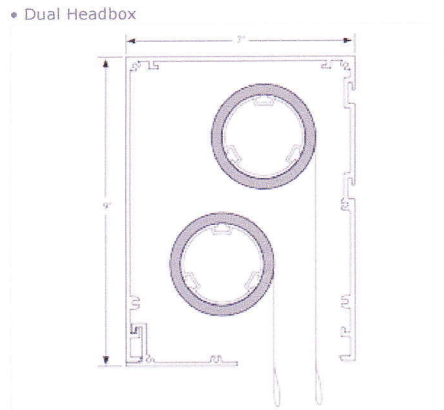
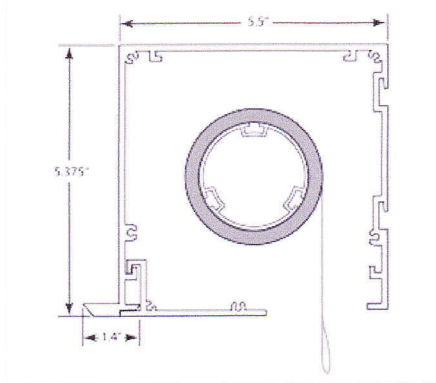
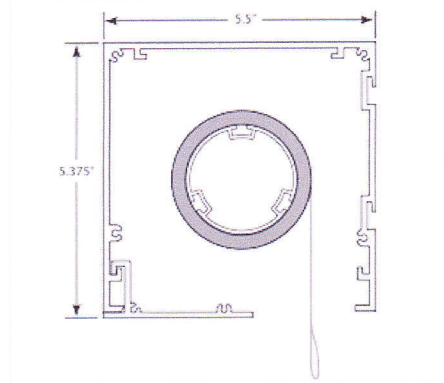
option allows the operator to lift heavy and oversized shades that exceed ±85 square feet. The Spring Assist feature is required for very large shades, but it can be added to smaller shades, ensuring lift operation with additional ease. The Spring Assist Clutch assembly includes a heavy-duty wrapped spring that attaches directly to a M16 or M24 clutch mechanism by means of a snap-fit and fixing screw. Shades using a Spring Assist Clutch Mechanism may be operated as left-hand or right-hand control. Regular Roll and Reverse Roll options are also possible with this mechanism.

Platinum Clutch™ Roller Shade Product Cut Sheets

- Platinum Roller Shade Clutch Mechanism
- Platinum Roller Shade Installation
- Platinum Clutch™, Idler, & Bracket Material Specification Data
- Platinum Clutch™ Ceiling Mount Installation Diagram
- Platinum Clutch™ Wall Mount Installation Diagram

Platinum Series Roller Shade Accessory Options

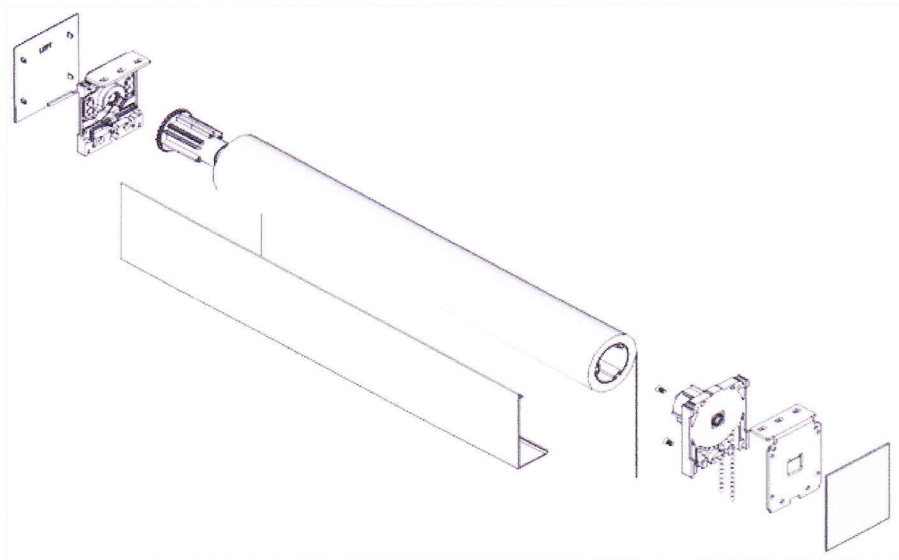
- Headbox without Tile Receiver
- Headbox with Tile Receiver



Series TM
Series TM

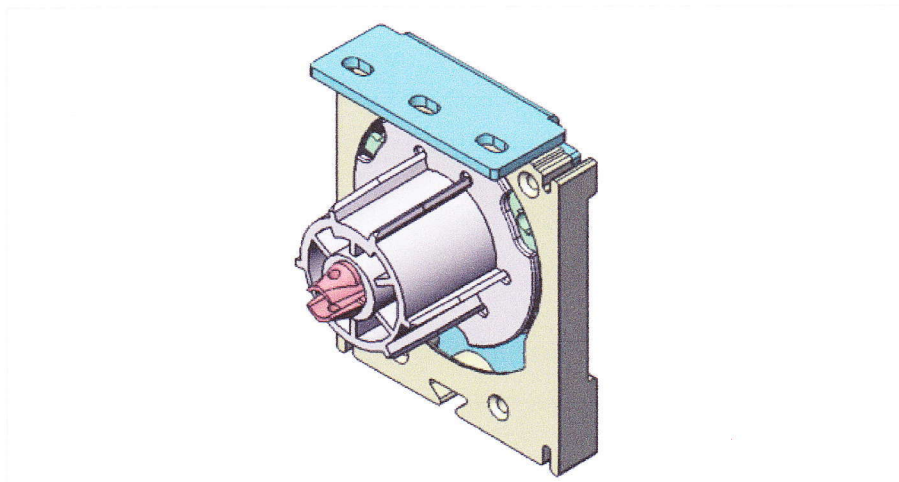
Series TM
Series TM

TM



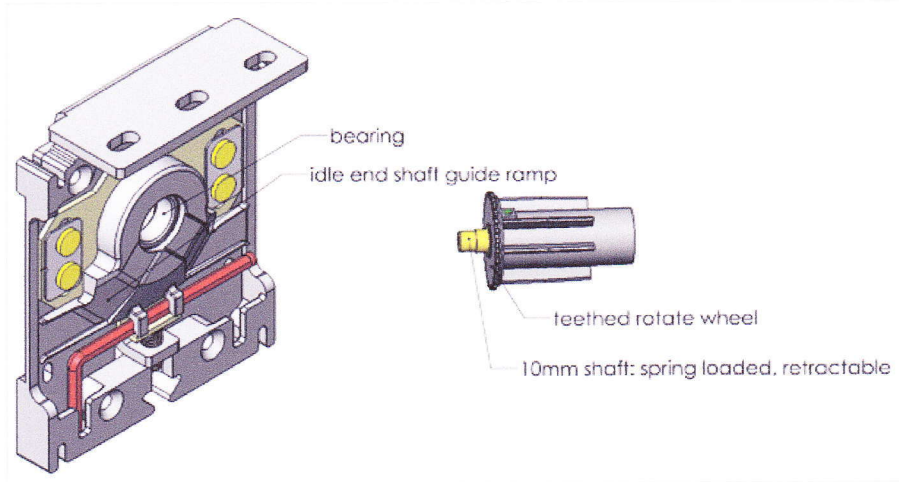
TM

Platinum Series Clutch & Bracket



TM

Platinum Series Idler End Bracket



Platinum Clutch™ Spring Assisted Mechanism

Mariak Contract shading systems offers an optional Spring Assist Clutch Lifting Mechanism. Selecting this